

REPAIR PARTS MANUAL
MODEL NO. M12592RB (96061016901)
Lawn Tractor



McCULLOCH

www.mcculloch.biz

HOW TO USE THIS MANUAL

This manual is designed to provide the customer with a means to identify the parts on his/her tractor when ordering repair parts. The illustrations may or may not represent the actual assemblies; therefore, it is not recommended to use this manual as a guide to assemble or disassemble the tractor. Some hardware and parts are drawn larger in order to more readily identify them.

Each tractor has its own model number.

The model number for your tractor can be found on the fender under the seat.

When ordering parts, always give the following information:

- Product - "Tractor"
- Model Number - "M12592RB(96061016901)"
- Part Number
- Part Description

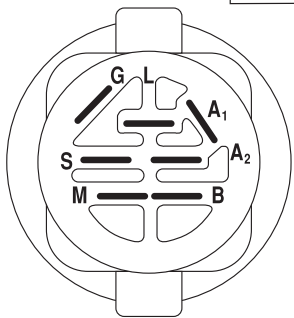
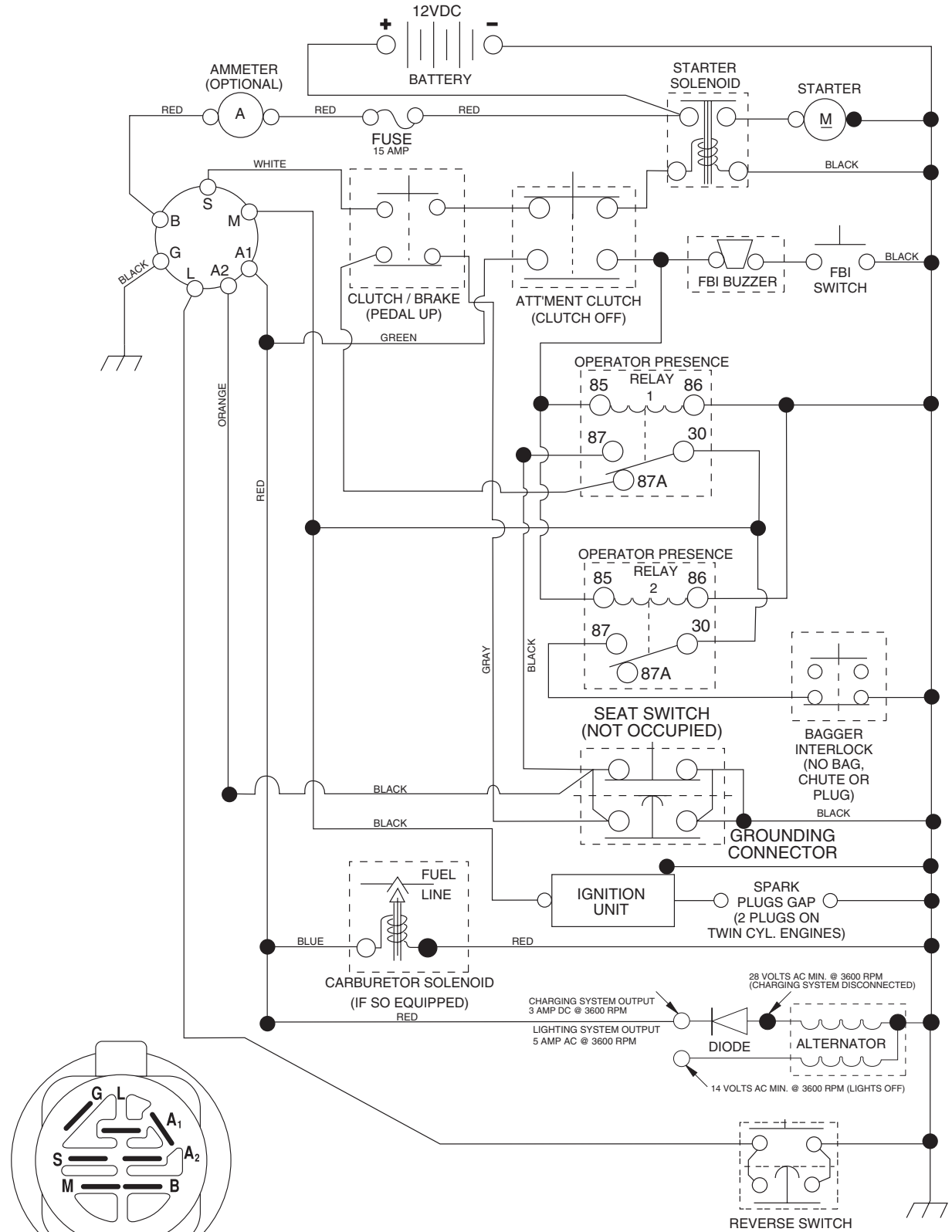
TABLE OF CONTENTS

| | |
|------------------|-------|
| SCHEMATIC | 3 |
| ELECTRICAL..... | 4-5 |
| CHASSIS | 6-7 |
| DRIVE..... | 8-9 |
| STEERING | 10-11 |
| SEAT | 12 |
| DECALS..... | 13 |
| ENGINE..... | 14-15 |
| MOWER DECK | 16-17 |
| MOWER LIFT..... | 18-19 |
| BAGGER..... | 20-21 |

TRACTOR- -MODEL NO. M12592RB (96061016901) PRODUCT NO. 960 61 01-69

SCHEMATIC

03051_197438 (NO LIGHTS)

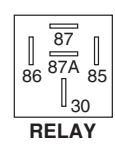


IGNITION SWITCH

| POSITION | CIRCUIT "MAKE" |
|--------------|----------------|
| OFF | M+G+A1 |
| RUN/OVERRIDE | B+A1 |
| RUN | B+A1 L+A2 |
| START | B + S + A1 |

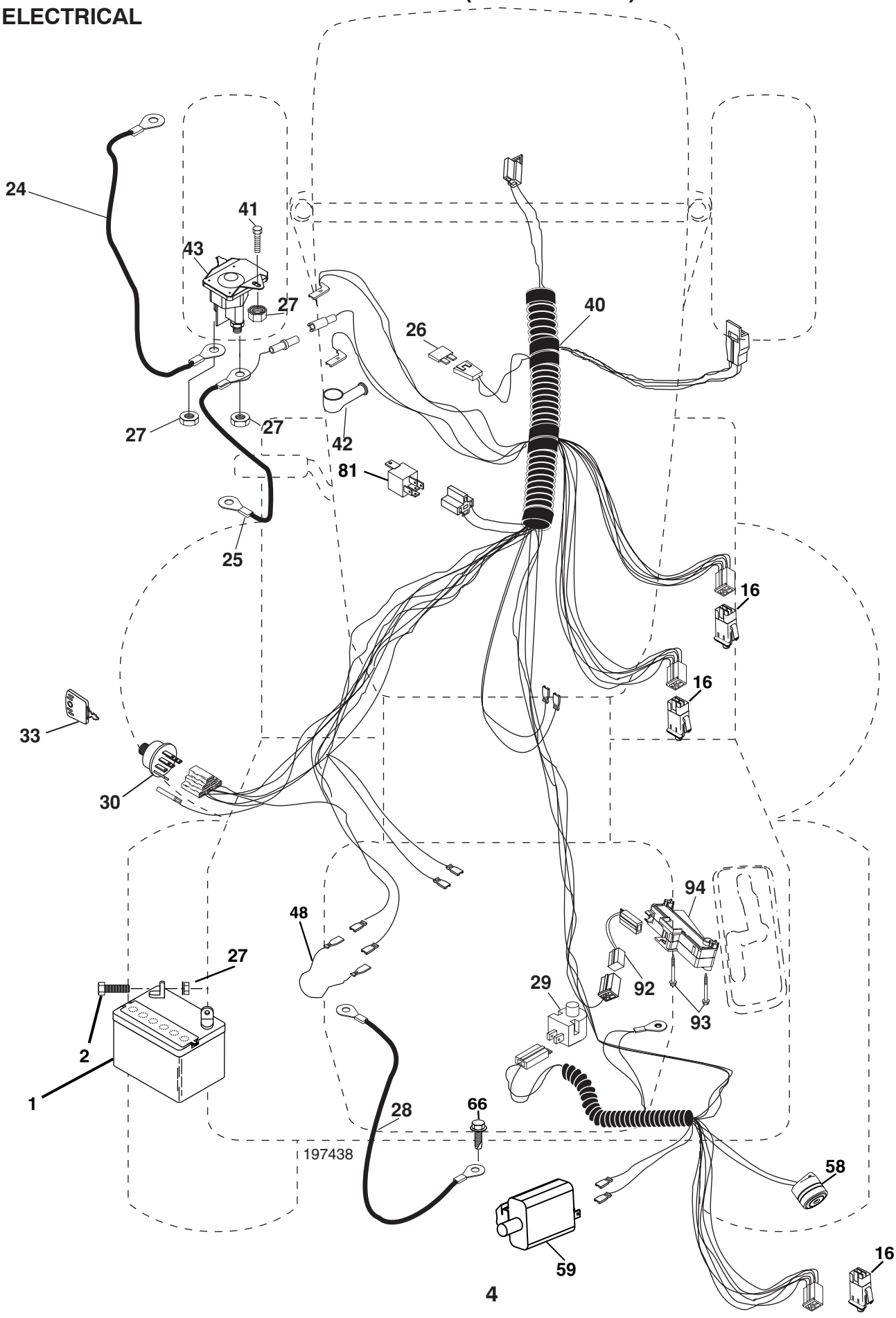
WIRING INSULATED CLIPS

NOTE: IF WIRING INSULATED CLIPS WERE REMOVED FOR SERVICING OF UNIT, THEY SHOULD BE REPLACED TO PROPERLY SECURE YOUR WIRING.



REPAIR PARTS

TRACTOR- -MODEL NO. M12592RB (96061016901) PRODUCT NO. 960 61 01-69
ELECTRICAL



REPAIR PARTS

TRACTOR- -MODEL NO. M12592RB (96061016901) PRODUCT NO. 960 61 01-69
ELECTRICAL

| KEY NO. | PART NO. | DESCRIPTION |
|---------|--------------|-----------------------------------|
| 1 | 532 16 34-65 | Battery |
| 2 | 874 76 04-12 | Bolt Hex Hd 1/4-20 unc x 3/4 |
| 16 | 532 17 61-38 | Switch Interlock |
| 24 | 532 12 47-80 | Cable Starter 6 Ga. 11" Red |
| 25 | 532 16 59-87 | Cable Battery Crd 56" Red |
| 26 | 532 17 51-58 | Fuse |
| 27 | 873 51 04-00 | Nut Keps Hex 1/4-20 unc |
| 28 | 532 12 77-25 | Cable Ground 6 Ga. 18" Black |
| 29 | 532 19 27-49 | Switch Seat |
| 30 | 532 19 33-50 | Switch Ignition |
| 33 | 532 14 04-01 | Key Ign Molded |
| 40 | 532 19 74-38 | Harness Ign |
| 41 | 871 11 04-08 | Bolt Flk Fin Hex 1/4-20 unc x 1/2 |
| 42 | 532 13 15-63 | Cover Terminal Red |
| 43 | 532 19 25-07 | Solenoid |
| 48 | 532 14 08-44 | Adapter Ammeter Rectangular |
| 58 | 532 16 94-19 | Buzzer Crd |
| 59 | 532 18 03-79 | Switch FBI CRD |
| 66 | 817 49 06-08 | Screw Thdrol 3/8-16 x 1/2 Ty-Tt |
| 81 | 532 10 97-48 | Relay Asm |
| 92 | 532 19 66-15 | Harness Pigtail |
| 93 | 532 19 25-40 | Screw Plastite 10-14 x 2.0 |
| 94 | 532 19 18-34 | Module Reverse |

NOTE: All component dimensions given in U.S. inches.
1 inch = 25.4 mm.

REPAIR PARTS

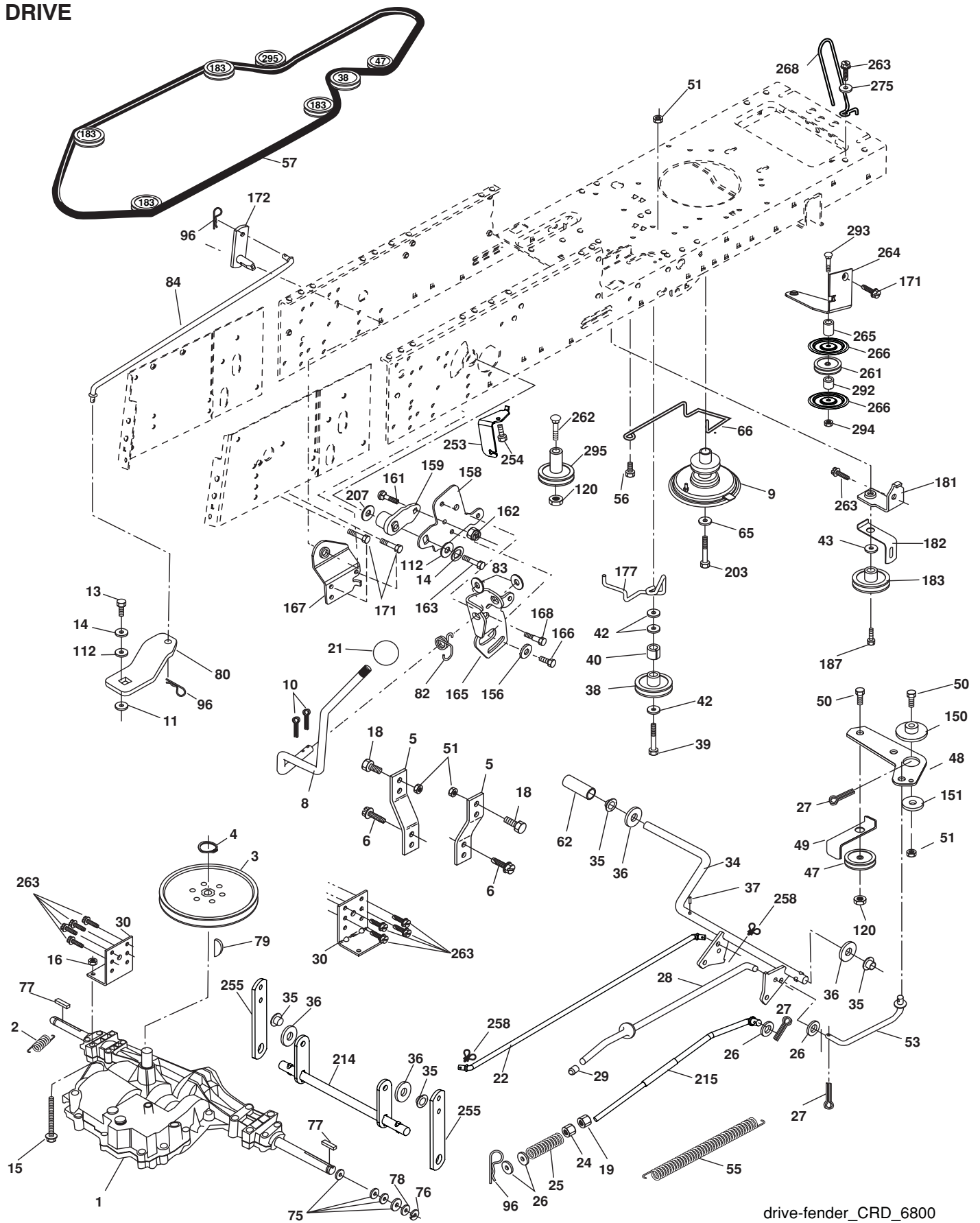
TRACTOR- -MODEL NO. M12592RB (96061016901) PRODUCT NO. 960 61 01-69 CHASSIS AND ENCLOSURES

| KEY NO. | PART NO. | DESCRIPTION | KEY NO. | PART NO. | DESCRIPTION |
|---------|---------------------|---|---------|--------------|--|
| 1 | 532 17 46-20 | Chassis | 162 | 532 18 03-82 | Bracket Exten Chassis Lh CRD |
| 2 | 532 18 03-84 | Drawbar | 163 | 532 18 03-83 | Bracket Exten Chassis Rh CRD |
| 3 | 817 06 06-12 | Screw 3/8-16 x 3/4 | 164 | 532 16 56-05 | Support Battery CRD |
| 5 | 532 15 52-72 | Bumper Hood/Dash | 165 | 532 18 13-56 | Cover Battery |
| 6 | 532 18 44-19 | Saddle | 170 | 532 19 94-88 | Backplate CRD |
| 8 | 532 12 64-71 | Clip Insulator 13/32 Mtg. Hole | 171 | 872 14 06-20 | Bolt Rdhd Sqnk 3/8-16 x 2-1/2 Gr. 5 |
| 9 | 532 19 46-88 | Dash | 172 | 819 13 20-16 | Washer 13/32 x 1-1/4 x 16 Ga. |
| 10 | 872 14 06-08 | Bolt, Carriage 3/8-16 x 3/4 | 173 | 873 51 06-00 | Nut, Keps Hex 3/8-16 unc |
| 11 | 532 17 49-96 | Panel, Dash, L.H. | 175 | 532 18 82-03 | Door Trap |
| 13 | 532 18 17-19 | Panel, Asm. Dash R.H. | 179 | 532 18 82-02 | Rod Pivot FBI CRD |
| 15 | 874 18 05-12 | Screw, Machine, Truss Head 5/16-18 unc x 3/4 | 184 | 532 17 46-62 | Bracket Actuator Bagger CRD |
| 16 | 873 51 05-00 | Nut | 185 | 532 18 11-01 | Knob Rod Brake Parking |
| 17 | 532 40 61-79 | Hood | 186 | 532 16 07-93 | Latch Asm Mulch/Bagger |
| 18 | 532 18 49-21 | Bumper Hood | 187 | 532 12 50-04 | Nut Weld |
| 24 | 874 78 06-16 | Bolt | 188 | 819 06 12-16 | Washer #10 |
| 25 | 819 13 13-12 | Washer 13/32 x 13/16 x 12 Ga. | 189 | 810 07 10-00 | Washer Lock #10 |
| 26 | 873 80 06-00 | Nut | 190 | 871 08 10-10 | Screw Pan Hd Phillip 10-24 x 5/8 |
| 28 | 532 19 47-98 | Grille | 198 | 532 16 89-37 | Nut, Push |
| 30 | 532 19 73-64 | Fender | 205 | 817 49 06-08 | Screw Thdrol 3/8-16 x 1/2 |
| 31 | 532 16 51-56 | Bracket, Fender Support | 207 | 817 67 05-08 | Screw Thdrl. 5/16-18 x 1/2 |
| 33 | 532 18 25-07 | Footrest, L.H. | 208 | 817 67 06-08 | Screw Thdrol 3/8-16 x 1/2 |
| 34 | 532 18 25-08 | Footrest, R.H. | 209 | 817 00 06-12 | Screw Hex Wsh Thdrol 3/8-16 |
| 35 | 872 11 06-06 | Bolt | 256 | 532 18 13-61 | Cover Fender Rack |
| 37 | 817 49 05-08 | Screw Thdrol 5/16-18 x 1/2 TYT | 265 | 532 18 57-04 | Seal RH Side Bagger |
| 38 | 532 18 17-48 | Bracket Asm Pivot Mower Rear | 266 | 532 18 57-03 | Seal LH Side Bagger |
| 39 | 532 18 75-68 | Bracket Pivot | 278 | 532 19 16-11 | Screw 10 x 3/4 Single Lead Hex |
| 69 | 532 14 24-32 | Screw HxWsh Hi-Lo | -- | 532 00 54-79 | Plug Button |
| 89 | 532 19 73-39 | Console CRD 6 Sp. 418 | -- | 532 19 39-35 | Plug Switch Light |
| 145 | 532 40 91-67 | Rod Pivot Chassis/Hood | | | |

NOTE: All component dimensions given in U.S. inches.
1 inch = 25.4 mm.

REPAIR PARTS

TRACTOR- -MODEL NO. M12592RB (96061016901) PRODUCT NO. 960 61 01-69
DRIVE



drive-fender_CRD_6800

REPAIR PARTS

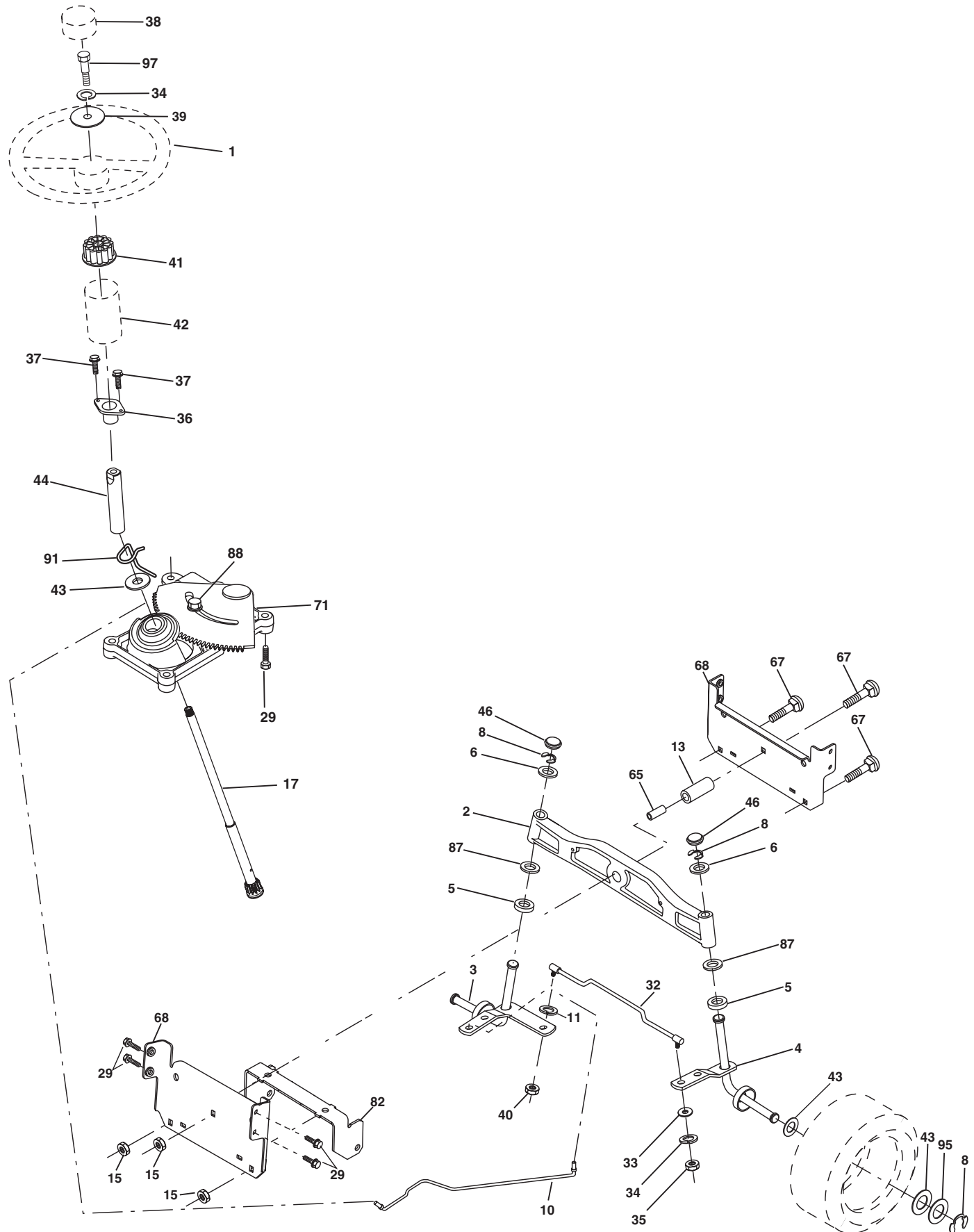
**TRACTOR- -MODEL NO. M12592RB (96061016901) PRODUCT NO. 960 61 01-69
DRIVE**

| KEY NO. | PART NO. | DESCRIPTION | KEY NO. | PART NO. | DESCRIPTION |
|---------|---------------------|---|---------|---------------------|-----------------------------------|
| 1 | ----- | Transaxle DANA D6800 (Order parts from transaxle manufacturer) | 79 | 532 12 50-96 | Key Woodruff |
| 2 | 532 14 66-82 | Spring Brake Return | 80 | 532 14 50-90 | Arm Shift PMST 20" Tires |
| 3 | 532 16 59-99 | Pulley Transaxle | 82 | 532 16 57-11 | Spring, Torsion |
| 4 | 812 00 00-28 | Ring Retainer #5100-62 | 83 | 819 17 12-16 | Washer 17/32 x 3/4 x 16 Ga. |
| 5 | 532 12 15-20 | Strap torque 30 degrees | 84 | 532 40 73-80 | Link Shift |
| 6 | 817 06 05-12 | Screw 5/16-18 x 3/4 | 96 | 532 12 47-88 | Spring, Retainer 1" |
| 8 | 532 19 27-06 | Rod Shift | 112 | 819 09 12-10 | Washer 9/32 x 3/4 x 10 Ga. |
| 9 | 532 40 85-79 | Clutch Noram | 120 | 873 90 06-00 | Nut Lock Flg. 3/8-16 unc |
| 10 | 876 02 04-16 | Pin, Cotter 1/8 x 1 | 150 | 532 16 58-50 | Bushing, Bellcrank Grnd Dr |
| 11 | 532 10 57-01 | Washer Plate Shf .3888 sq hole | 151 | 819 13 32-10 | Washer 13/32 x 2 x 10 Ga. |
| 13 | 874 55 04-12 | Bolt 1/4-28 Unf Gr. 8 w/patch | 156 | 532 16 60-02 | Washer Srrd 5/16 ID x 1.125 |
| 14 | 810 04 04-00 | Washer, Lock Hvy Helical | 158 | 532 16 55-89 | Bracket Shift Mount |
| 15 | 874 49 05-44 | Bolt Hex Flghd 5/16-18 Gr. 5 | 159 | 532 18 39-00 | Hub Shift |
| 16 | 873 80 05-00 | Nut, Lock Hex w/lns 5/16-18 unc | 161 | 872 14 04-06 | Bolt Rdhd Sqnk 1/4-20 x 3/4 Gr 5 |
| 18 | 874 78 06-16 | Bolt Hex 3/8-16 unc x 1 Gr. 5 | 162 | 873 68 04-00 | Nut Crownlock 1/4-20 unc |
| 19 | 873 80 06-00 | Nut, Lock Hex w/Wsh 3/8-16 unc | 163 | 874 78 04-16 | Bolt Hex Fin 1/4-20 unc x 1 Gr 5 |
| 21 | 532 10 69-33 | Knob Duckhead | 165 | 532 16 56-23 | Bracket Pivot Lever |
| 22 | 532 17 56-07 | Rod, Brake CRD | 166 | 817 49 05-10 | Screw 5/16-18 x 5/8 |
| 24 | 873 35 06-00 | Nut | 167 | 532 16 55-88 | Bracket Support Shift CRD |
| 25 | 532 10 68-88 | Spring, Rod, Brake | 168 | 532 16 54-92 | Bolt Shoulder 5/16-18 x .561 |
| 26 | 819 13 13-16 | Washer 13/32 x 13/16 x 16 Ga. | 171 | 817 49 06-08 | Screw Thdrol 3/8-16 x 1/2 Ty-Tt |
| 27 | 876 02 04-12 | Pin, Cotter 1/8 x 3/4 | 172 | 532 40 76-05 | Shaft Asm Shift Front |
| 28 | 532 17 57-65 | Rod, Parking Brake | 177 | 532 16 59-32 | Keeper Flat Idler 3.06" CRD |
| 29 | 532 07 16-73 | Cap Brake Parking | 181 | 532 18 02-11 | Bracket Idler Ground Drive CRD |
| 30 | 532 17 49-73 | Bracket, Mfg. Transaxle | 182 | 532 18 26-82 | Keeper Belt 2.5" Od V-Idler CRD |
| 34 | 532 17 55-78 | Shaft, Asm Pedal Foot | 183 | 532 19 95-32 | Pulley V-Idler |
| 35 | 532 12 01-83 | Bearing, Nylon | 187 | 817 58 05-20 | Screw 5/16-18 x 1.25 |
| 36 | 819 21 16-16 | Washer 21/32 x 1 x 16 Ga. | 203 | 871 17 07-80 | Bolt Hex 7/16-20 x 5 |
| 37 | 532 12 49-63 | Pin, Roll 3/16 x 1" | 207 | 532 16 98-45 | Washer Nylon Rear |
| 38 | 532 16 59-36 | Pulley, Flat | 214 | 532 17 56-09 | Shaft Asm Blade |
| 39 | 874 76 06-44 | Bolt Fin Hex 3/8-16 unc x 2-3/4 | 215 | 532 41 01-42 | Rod Brake Secondary |
| 40 | 532 12 49-65 | Spacer, Split 395 x 59 Bzp | 253 | 532 17 50-28 | Bracket Cable Chassis |
| 42 | 819 13 13-12 | Washer 13/32 x 13/16 x 12 Ga. | 254 | 817 00 06-16 | Screw 3/8-16 x 1 |
| 43 | 819 11 10-12 | Washer 11/32 x 5/8 x 12 Ga. | 255 | 532 17 56-08 | Brace Shaft Brake Mtg. |
| 47 | 532 12 77-83 | Pulley, Idler, V Groove Plasitc | 258 | 532 17 80-62 | Clip Retainer |
| 48 | 532 15 44-07 | Bellcrank Clutch Grnd Drv | 261 | 532 13 14-94 | Pulley Idler |
| 49 | 532 12 32-05 | Retainer, Belt Style Spring | 262 | 872 11 06-22 | Bolt RDHD 3/8-16 unc x 2-3/4 Gr.5 |
| 50 | 872 11 06-12 | Bolt 3/8-16 unc x 1-1/2 | 263 | 817 00 06-12 | Screw 3/8-16 x 3/4 |
| 51 | 873 68 06-00 | Nut, Crownlock 3/8-16 unc | 264 | 532 19 76-08 | Bracket Clutch Mtg. |
| 53 | 532 19 96-52 | Link, Clutch 7.66 | 265 | 532 40 46-07 | Spacer Idler Chassis |
| 55 | 532 10 57-09 | Spring, Return, Clutch | 266 | 532 18 20-61 | Shield Idler Mower |
| 56 | 817 06 06-20 | Screw 3/8-16 x 1-1/4 | 268 | 532 18 24-02 | Guard Muffler RH |
| 57 | 532 40 50-75 | V-Belt Kev | 275 | 819 13 16-14 | Washer 13/32 x 1 x 1.4 Ga. |
| 62 | 532 12 48-72 | Cover, Pedal | 292 | 532 40 02-71 | Spacer |
| 65 | 810 04 07-00 | Washer | 293 | 872 14 06-28 | Bolt RDHD SQNK 3/8-16 x 3-1/2 |
| 66 | 532 15 47-78 | Keeper, Belt Engine F-Proof | 294 | 532 19 70-33 | Nut Jam 3/8-16 |
| 75 | 532 12 17-49 | Washer 25/32 x 1-1/4 x 16 Ga. | 295 | 721 17 91-14 | Pulley Idler |
| 76 | 812 00 00-01 | Ring, E | | | |
| 77 | 532 12 35-83 | Key, Square | | | |
| 78 | 532 12 17-48 | Washer 25/32 x 1-5/8 x 16 Ga. | | | |

NOTE: All component dimensions given in U.S. inches
1 inch = 25.4 mm

REPAIR PARTS

TRACTOR- -MODEL NO. M12592RB (96061016901) PRODUCT NO. 960 61 01-69
STEERING ASSEMBLY



REPAIR PARTS

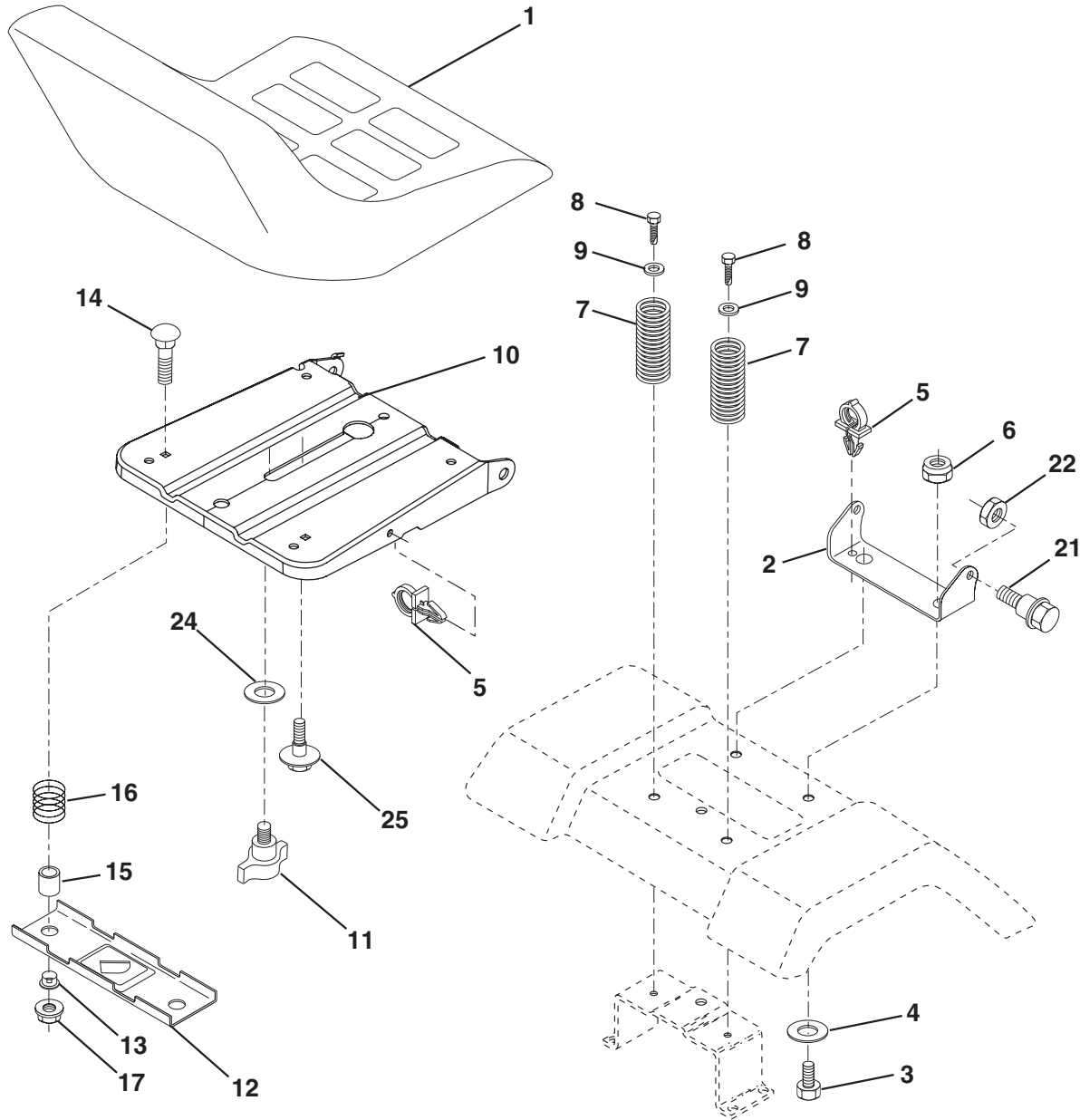
TRACTOR- -MODEL NO. M12592RB (96061016901) PRODUCT NO. 960 61 01-69
STEERING ASSEMBLY

| KEY NO. | PART NO. | DESCRIPTION |
|---------|--------------|--------------------------------------|
| 1 | 532 18 67-80 | Steering Wheel |
| 2 | 532 18 47-06 | Axle Asm Cast Iron Lt |
| 3 | 532 16 98-40 | Spindle Assembly, L.H. |
| 4 | 532 16 98-39 | Spindle Assembly, R.H. |
| 5 | 532 12 49-31 | Bearing, Race, Thrust, Hardened |
| 6 | 532 12 17-48 | Washer 25/32 x 1-5/8 x 16 Ga. |
| 8 | 812 00 00-29 | Ring, Klip |
| 10 | 532 17 51-21 | Link, Drag |
| 11 | 810 04 06-00 | Washer, Lock |
| 13 | 532 13 65-18 | Spacer Brg Axle Front |
| 15 | 532 14 52-12 | Nut Hex Flange Lock |
| 17 | 532 19 07-53 | Shaft, Steering |
| 29 | 817 00 06-12 | Screw 3/8-16 x 3/4 |
| 32 | 532 17 01-62 | Rod, Tie |
| 33 | 819 11 12-16 | Washer 11/32 x 3/4 x 16 Ga. |
| 34 | 810 04 05-00 | Washer Lock Hvy Hlcl Spr 5/16 |
| 35 | 873 54 05-00 | Crownlock Nut 5/16-24 unf 3847 |
| 36 | 532 15 50-99 | Bushing, Steering |
| 37 | 532 15 29-27 | Screw TT #10-32 x 5 x 3/8 Flange |
| 38 | 532 19 29-16 | Cap Wheel Steering |
| 39 | 819 11 38-12 | Washer 11/32 ID x 2- 3/8 OD x 12 Ga. |
| 40 | 876 54 06-00 | Nut Lock 3/8-24 |
| 41 | 532 18 67-37 | Adaptor, Steering Wheel |
| 42 | 532 16 96-33 | Boot, Steering Dash P/L Mtl |
| 43 | 532 12 17-49 | Washer 25/32 x 1-1/4 x 16 Ga. |
| 44 | 532 19 07-52 | Extension Steering Shaft |
| 46 | 532 12 12-32 | Cap, Spindle |
| 65 | 532 16 03-67 | Spacer Brace Axle |
| 67 | 872 11 06-18 | Bolt Rdhd Sqnk 3/8-16 x 2-1/4 |
| 68 | 532 16 98-27 | Brace Axle |
| 71 | 532 17 51-46 | Steering Asm. |
| 82 | 532 19 99-78 | Bracket Susp Chassis Front |
| 87 | 532 17 39-66 | Washer Flat .781 x 1 1/2 x .14 |
| 88 | 532 17 51-18 | Bolt Shoulder 7/16-20 unc |
| 91 | 532 17 55-53 | Clip Steering |
| 95 | 532 18 89-67 | Washer |
| 97 | 874 78 05-64 | Bolt 5/16-18 unc x 4" L. Gr. 5 |

NOTE: All component dimensions given in U.S. inches.
1 inch = 25.4 mm.

REPAIR PARTS

TRACTOR- -MODEL NO. M12592RB (96061016901) PRODUCT NO. 960 61 01-69
SEAT ASSEMBLY



seat_lt.knob_13

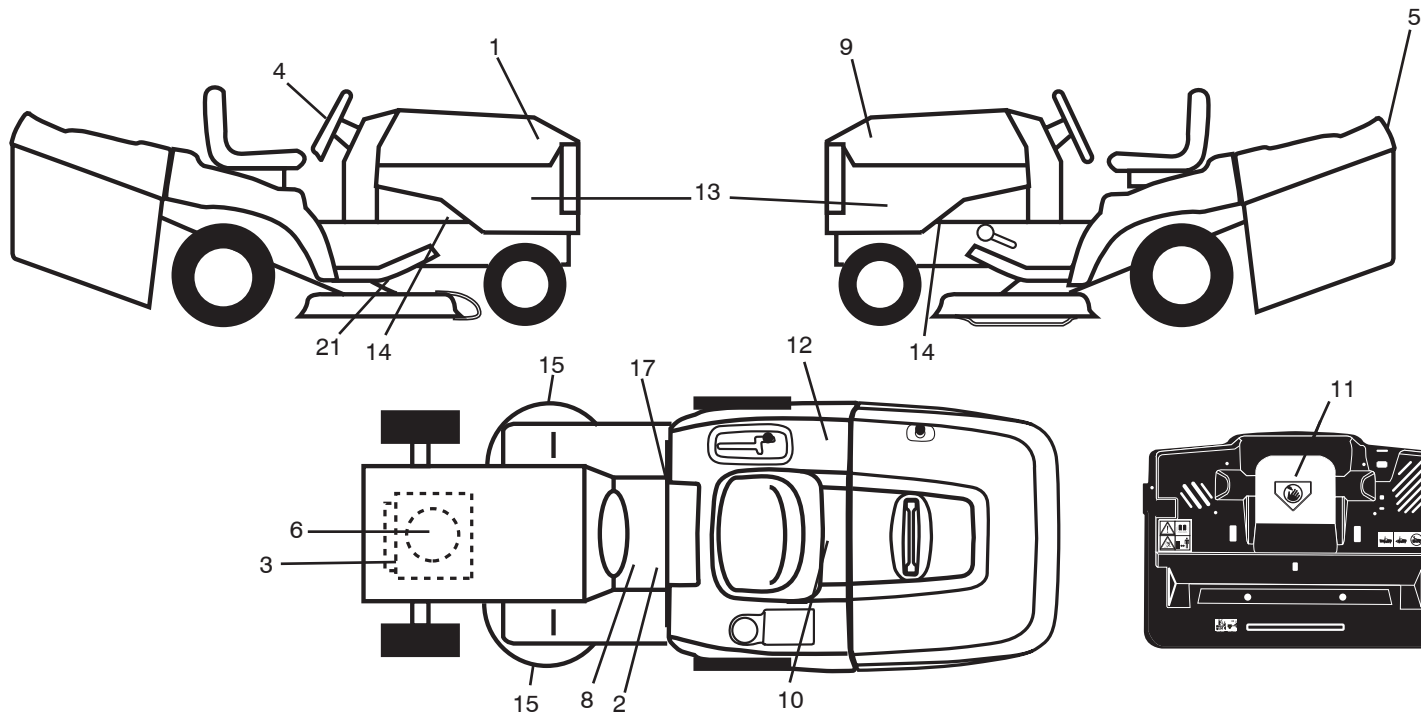
| KEY NO. | PART NO. | DESCRIPTION |
|---------|--------------|--------------------------------|
| 1 | 532 40 10-42 | Seat |
| 2 | 532 14 05-51 | Bracket Pnt Pivot Seat (blk) |
| 3 | 871 11 06-16 | Bolt Fin Hex 3/8-16 x 1 |
| 4 | 819 13 16-10 | Washer Flat 13/32 x 1 x 10 Ga. |
| 5 | 532 14 50-06 | Clip Push In Hinged |
| 6 | 873 80 06-00 | Nut Lock Hx w/Ins. 3/8-16 |
| 7 | 532 12 41-81 | Spring Seat Cprsn 2 250 Blk Zi |
| 8 | 817 00 06-16 | Screw 3/8-16 x 1-1/2 |
| 9 | 819 13 16-14 | Washer 13/32 x 1 x 14 Ga. |
| 10 | 532 19 55-30 | Pan Pnt Seat |
| 11 | 532 16 63-69 | Knob Seat |
| 12 | 532 17 46-48 | Bracket Pnt Mounting Switch |

| KEY NO. | PART NO. | DESCRIPTION |
|---------|--------------|---------------------------------|
| 13 | 532 12 12-48 | Bushing Snap Blk Nyl 50 Id |
| 14 | 872 05 04-12 | Bolt Rdhd Sht Nk 1/4-20 x 1-1/2 |
| 15 | 532 13 43-00 | Spacer Split |
| 16 | 532 12 12-50 | Spring Cprsn Plate SW 1.310 Ga. |
| 17 | 532 12 39-76 | Nut Lock 1/4 Lge Flg Gr 5 Zinc |
| 21 | 532 17 18-52 | Bolt Shoulder 5/16-18 unc-2A |
| 22 | 873 80 05-00 | Nut Hex Lock w/Ins 5/16-18 |
| 24 | 819 17 19-12 | Washer 17/32 x 1-3/16 x 12 Ga. |
| 25 | 532 12 70-18 | Bolt Shoulder 5/16-18 x 62 |

NOTE: All component dimensions given in U.S. inches.
1 inch = 25.4 mm

REPAIR PARTS

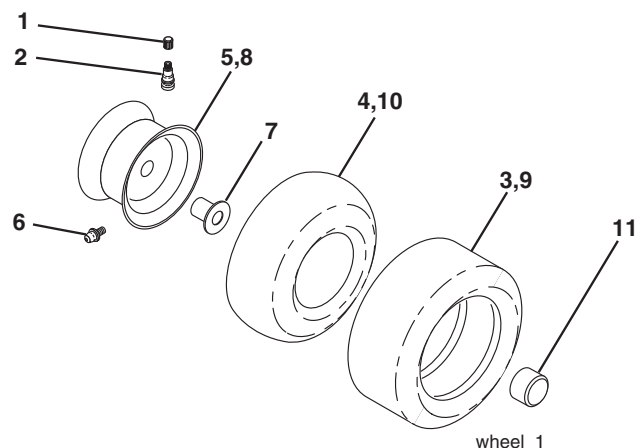
TRACTOR- -MODEL NO. M12592RB (96061016901) PRODUCT NO. 960 61 01-69
DECALS



| KEY NO. | PART NO. | DESCRIPTION |
|---------|---------------------|-------------------------------|
| 1 | 532 40 82-52 | Decal Hood |
| 2 | 532 40 03-89 | Decal Warning Symbols CE |
| 3 | 532 18 88-08 | Decal HP Engine |
| 4 | 532 40 82-03 | Decal Steering Wheel |
| 5 | 532 40 88-08 | Decal Fender Logo |
| 6 | 532 19 68-41 | Decal Warning Engine Symbols |
| 8 | 532 15 97-37 | Decal Brake/Clutch Symbol |
| 9 | 532 40 82-53 | Decal Hood LH |
| 10 | 532 14 50-05 | Decal Bat Dan/Poi P/L Sym Wpn |
| 11 | 532 18 21-66 | Decal Mower Cut Finger Symbol |
| 12 | 532 18 04-32 | Decal Fender 100 DB/CE |
| 13 | 532 40 82-82 | Decal Side Panel |
| 14 | 532 15 97-36 | Decal Chassis Hot Muffler |

| KEY NO. | PART NO. | DESCRIPTION |
|---------|---------------------|----------------------------|
| 15 | 532 19 68-42 | Decal Warning Cut Finger |
| 17 | 532 14 08-37 | Decal Saddle Brake Parking |
| 21 | 532 16 62-86 | Decal Deck Sch 92 CRD |
| -- | 532 18 10-91 | Pad Footrest LH |
| -- | 532 18 10-90 | Pad Footrest RH |
| -- | 532 13 83-11 | Decal Lift Handle |
| -- | 532 41 08-91 | Manual Operator's (Euro) |
| -- | 532 41 09-51 | Manual Operator's (Scan) |
| -- | 532 41 09-52 | Manual Operator's (E-Bloc) |
| -- | 532 41 09-54 | Manual Operator's (Baltic) |
| -- | 532 41 38-33 | Manual Parts |

WHEELS & TIRES

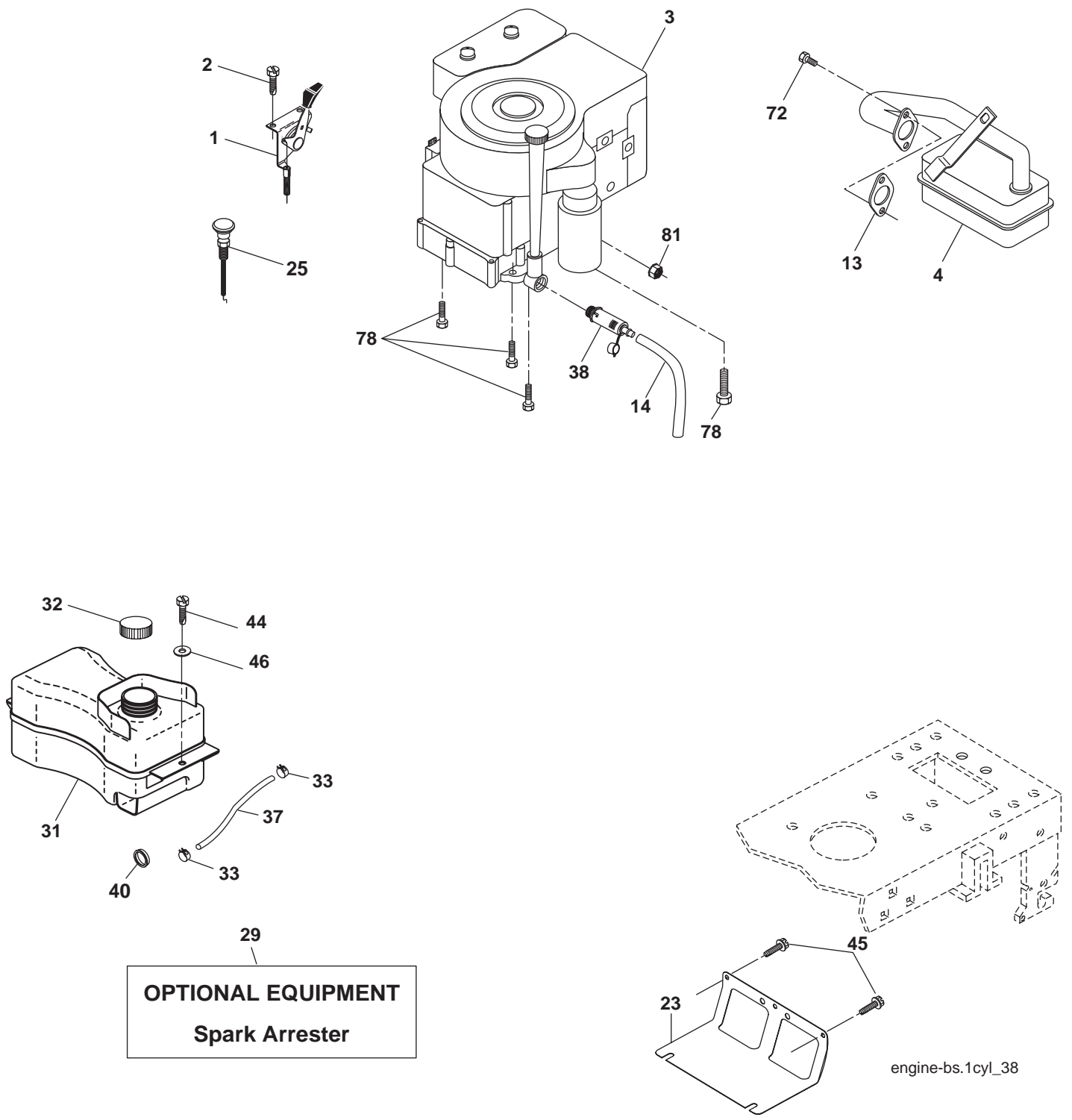


| KEY NO. | PART NO. | DESCRIPTION |
|---------|--------------|--------------------------------|
| 1 | 532 05 91-92 | Cap Value Tire |
| 2 | 532 06 51-39 | Stem Value |
| 3 | 532 10 62-22 | Tire F Ts 15 x 6 0 - 6 Service |
| 4 | 532 05 99-04 | Tube Inner Front #35060 |
| 5 | 532 12 51-21 | Rim Asm Front Service |
| 6 | 532 12 49-57 | Fitting Grease |
| 7 | 532 12 49-59 | Bearing Flange |
| 8 | 532 12 51-22 | Rim Asm 8" rear Service |
| 9 | 532 10 62-68 | Tire R Ts 18 x 9.5-8 Service |
| 10 | 532 12 49-26 | Tube Rear 9 5 x 8 Service |
| 11 | 532 17 50-39 | Cap Axle Blk 1 50 x 1 00 |
| -- | 532 14 43-34 | Sealant, Tire (10 oz. tube) |

NOTE: All component dimensions given in U.S. inches.
1 inch = 25.4 mm

REPAIR PARTS

TRACTOR- -MODEL NO. M12592RB (96061016901) PRODUCT NO. 960 61 01-69
ENGINE



engine-bs.1cyl_38

REPAIR PARTS

TRACTOR- -MODEL NO. M12592RB (96061016901) PRODUCT NO. 960 61 01-69 ENGINE

| KEY NO. | PART NO. | DESCRIPTION |
|---------|--------------|--|
| 1 | 532 17 05-51 | Control Throt /Ch Flag |
| 2 | 817 72 04-08 | Screw Hex Thd Cut 1/4-20 x 1/2 |
| 3 | ----- | Engine Briggs 219707 (Order Parts from Engine Manufacturer) |
| 4 | 532 17 97-58 | Muffler |
| 13 | 532 16 52-91 | Gasket |
| 14 | 532 14 84-56 | Tube Drain Oil Easy |
| 23 | 532 16 98-37 | Shield Browning/Debris Guard |
| 25 | 532 19 06-95 | Control Choke |
| 29 | 532 13 71-80 | Arrestor Spark |
| 31 | 532 40 75-16 | Tank Fuel |
| 32 | 532 19 77-25 | Cap Asm Fuel Top |
| 33 | 532 12 34-87 | Clamp Hose Blk |
| 37 | 532 13 70-40 | Line Fuel 20" |
| 38 | 532 18 16-54 | Plug Drain Oil Easy |
| 40 | 532 12 40-28 | Bushing Snap |
| 44 | 817 67 04-12 | Screw Hexwsh Thdrol 1/4-20 x 3/4 |
| 45 | 817 00 06-12 | Screw Hexwsh Thdr 3/8-16 x 3/4 |
| 46 | 819 09 14-16 | Washer 9/32 x 7/8 x 16ga |
| 72 | 532 19 23-34 | Screw Socket HD 5/16-18 x .75 |
| 78 | 817 06 06-20 | Screw 3/8-16 x 1-1/4 |
| 81 | 873 51 04-00 | Nut Keps 1/4-20 unc |

NOTE: All component dimensions given in U.S. inches.
1 inch = 25.4 mm

Engine Power Rating Information

The gross power rating for individual gas engine models is labeled in accordance with SAE (Society of Automotive Engineers) code J11940 (Small Engine Power & Torque Rating Procedure), and rating performance has been obtained and corrected in accordance with SAE J1995 (Revision 2002-5). Actual gross engine power will be lower and is affected by, among other things, ambient operating conditions and engine-to-engine variability. Given both the wide array of products on which engines are placed and the variety of environmental issues applicable to operating the equipment, the gas engine will not develop the rated gross power when used in a given piece of power equipment (actual "on-site" or net horsepower). This difference is due to a variety of factors including, but not limited to, accessories (air cleaner, exhaust, charging, cooling, carburetor, fuel pump, etc.), application limitations, ambient operating conditions (temperature, humidity, altitude), and engine-to-engine variability. Due to manufacturing and capacity limitations, Briggs & Stratton may substitute an engine of higher rated power for this Series engine.

REPAIR PARTS

TRACTOR- -MODEL NO. M12592RB (96061016901) PRODUCT NO. 960 61 01-69
MOWER

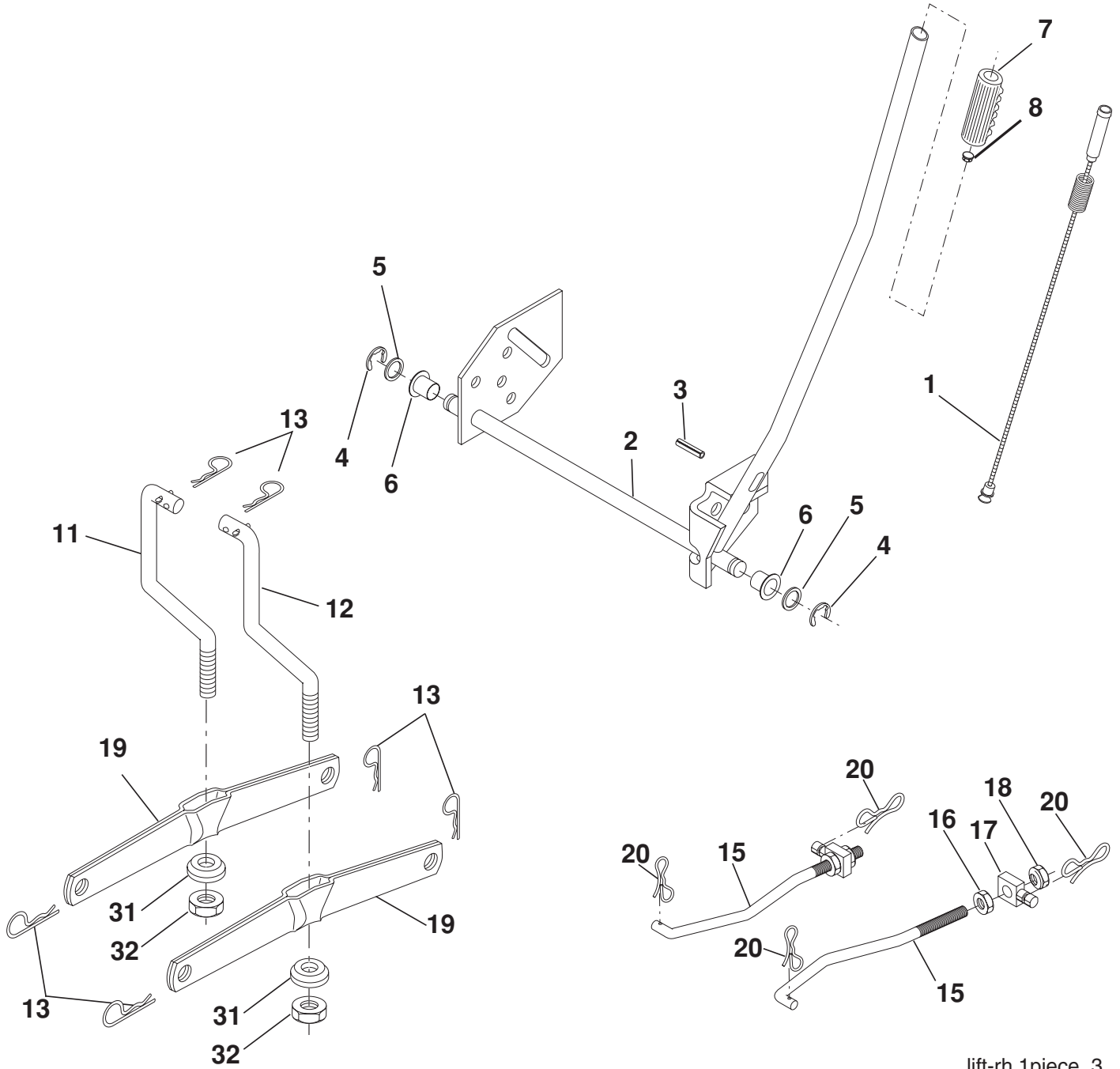
| KEY NO. | PART NO. | DESCRIPTION | KEY NO. | PART NO. | DESCRIPTION |
|---------|--------------|-------------------------------------|---------|---------------------|--|
| 1 | 532 40 01-08 | Housing Asm. Mower 92 CRD | 44 | 532 17 55-38 | Cover Mandrel Lh 92 CRD |
| 2 | 872 14 05-06 | Bolt Rdhd Sqnk 5/16-18 unc x 3/4 | 45 | 532 17 55-39 | Cover Mandrel Rh 92 CRD |
| 3 | 532 16 55-69 | Bracket Asm. S-Bar Chass 92 CRD | 46 | 532 13 77-29 | Screw Thd Roll 1/4-20 x 5/8 |
| 4 | 532 16 55-58 | Bracket Bar Sway Deck 92 CRD | 55 | 532 19 94-98 | Arm Idler 92 CRD |
| 5 | 532 12 46-70 | Retainer Spring | 56 | 532 16 57-23 | Spacer Retainer Mower |
| 6 | 532 16 55-57 | Bar Sway 92 CRD | 61 | 532 19 94-86 | Spring Tension Belt |
| 8 | 532 18 17-12 | Bolt 3/8-24 x 1.25 Gr. 8 Patched | 67 | 532 10 69-32 | Knob Rd 3/8-16 Plstc Thds Blk |
| 9 | 810 03 06-00 | Washer Lock Hvy 3/8 Unplated | 68 | 532 40 20-08 | Hex-Belt 92 Mower |
| 10 | 532 14 02-96 | Washer Hard Blade Mower Vented | 69 | 532 16 54-82 | Shaft Asm W/Lwr Brg Rh Thd CRD |
| 11 | 532 18 63-85 | Blade 3-1 Lh 92 CRD | 84 | 532 15 60-85 | Keeper Belt Idler |
| 13 | 532 13 76-45 | Shaft Asm. W/Lower Bearing | 116 | 532 19 34-06 | Bolt Shoulder |
| 14 | 532 12 87-74 | Housing Mandrel Vented (Machd) | 117 | 532 17 48-73 | Wheel Gage |
| 15 | 532 11 04-85 | Bearing Ball Mandrel | 119 | 819 13 20-12 | Washer 13/32 x 1-1/4 x 12 Ga. |
| 16 | 532 18 63-86 | Blade 3-1 Rh 92 CRD | 124 | 872 11 06-12 | Bolt Carr Sh 3/8-16 x 1-1/2 Gr. 5 |
| 17 | 872 14 06-10 | Bolt Carriage 3/8-16 x 1-1/4 | 130 | 872 11 05-06 | Bolt Rdhdsqnk 5/16-18 unc x 3/4 |
| 18 | 872 11 06-06 | Bolt Rdhd Sqnk 3/8-16 x 3/4 | 131 | 532 16 56-61 | Chute Bagger CRD 92cm |
| 19 | 532 13 28-27 | Bolt Shoulder 5/16-18 Thd Form | 152 | 532 17 60-74 | Cable Clutch CRD |
| 20 | 532 18 17-13 | Bolt 3/8-24 x 1.25 Gr. 8 Ptch Lhthd | 158 | 817 72 04-08 | Screw Hex Thd Cut 1/4-20 x 1/2 |
| 21 | 873 68 05-00 | Nut Crown Lock 5/16-18 | 185 | 532 18 82-34 | Head Asm. Cable Clutch |
| 22 | 532 19 95-90 | Bracket Idler Sprt 92 CRD | 254 | 817 00 06-16 | Screw 3/8-16 x 1 |
| 23 | 532 16 54-46 | Bracket Idler Sprt RF 92 CRD | 295 | 532 41 21-71 | Baffle, Front |
| 24 | 532 16 52-42 | Bracket Suspension LF 92 CRD | 296 | 872 14 06-06 | Bolt RDHD SQNK 1/4 - 20 x 3/4 Gr 5 |
| 25 | 532 16 52-44 | Bracket Suspension RF 92 CRD | 297 | 873 93 04-00 | Nut Centerlock 1/4-20 UNC |
| 26 | 532 40 01-10 | Brace Susp Frt CRD | -- | 532 18 18-57 | Mandrel Asm Service |
| 27 | 532 16 55-68 | Bracket Asm. Susp RR 92 CRD | -- | 532 18 18-58 | Mandrel Asm CRD Lh Threads SVC |
| 28 | 532 16 55-67 | Bracket Asm. Susp LR 92 CRD | -- | 532 41 37-11 | Replacement Mower, Complete (Std. Deck - Order separately guage wheel components key nos. 116 - 119) |
| 30 | 532 17 39-84 | Screw Thd Rolling | | | |
| 31 | 532 18 76-90 | Washer Spacer Mower Vented | | | |
| 32 | 532 15 35-32 | Mandrel Pulleys | | | |
| 33 | 532 40 02-34 | Nut Flg Top Lock | | | |
| 34 | 532 40 01-07 | Bracket Gauge Wheel Lf 92 CRD | | | |
| 35 | 532 40 01-06 | Bracket Gauge Wheel Rf 92 CRD | | | |
| 36 | 532 14 67-63 | Pulley Idler V-Groove Dim 4.25 | | | |
| 40 | 873 68 06-00 | Nut Crownlock 3/8-16 unc | | | |
| 41 | 873 90 06-00 | Nut Lock Flg. 3/8-16 unc | | | |

NOTE: All component dimensions given in U.S. inches
1 inch = 25.4 mm

REPAIR PARTS

TRACTOR- -MODEL NO. M12592RB (96061016901) PRODUCT NO. 960 61 01-69

MOWER LIFT



lift-rh.1piece_3

REPAIR PARTS

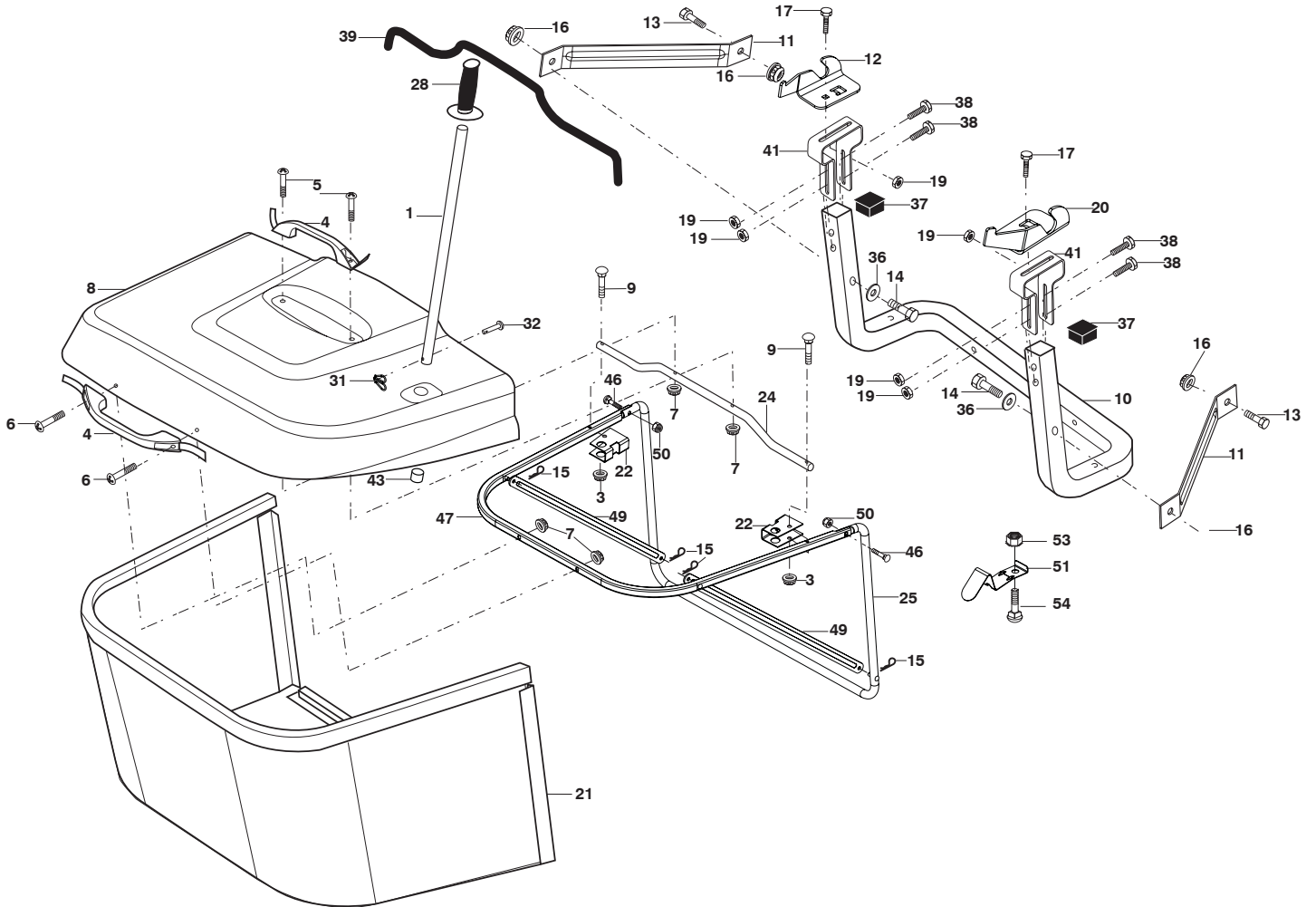
TRACTOR- -MODEL NO. M12592RB (96061016901) PRODUCT NO. 960 61 01-69
MOWER LIFT

| KEY NO. | PART NO. | DESCRIPTION |
|---------|--------------|---------------------------------------|
| 1 | 532 15 94-60 | Washer Asm Inner Spring W/ Plunger |
| 2 | 532 15 94-71 | Shaft Asm. Lift |
| 3 | 532 10 57-67 | Pin Groove |
| 4 | 812 00 00-02 | E Ring #5133-62 |
| 5 | 819 21 16-21 | Washer 21/32 x 1 x 21 Ga. |
| 6 | 532 12 01-83 | Bearing Nylon |
| 7 | 532 10 94-13 | Grip Handle |
| 8 | 532 12 45-26 | Button Plunger Black |
| 11 | 532 16 58-29 | Link Lift L.H. |
| 12 | 532 16 58-31 | Link Lift R.H. |
| 13 | 532 12 46-70 | Retainer Spring |
| 15 | 532 17 32-88 | Link Front |
| 16 | 873 35 08-00 | Nut Jam Hex 1/2-13 unc |
| 17 | 532 17 56-89 | Trunnion |
| 18 | 873 80 08-00 | Nut Lock W/Wsh 1/2-13 unc |
| 19 | 532 13 98-68 | Arm Suspension Mower |
| 20 | 532 19 42-09 | Pin Cotter 7/16 Bow Tie Lock |
| 31 | 532 16 98-65 | Bearing, Pvt. Lift. |
| 32 | 873 54 06-00 | Nut Crownlock 3/8-24 |

NOTE: All component dimensions given in U.S. inches.
1 inch = 25.4 mm

REPAIR PARTS

TRACTOR- -MODEL NO. M12592RB (96061016901) PRODUCT NO. 960 61 01-69
BAGGER



Bagger Asy (CRD)_14

REPAIR PARTS

TRACTOR- -MODEL NO. M12592RB (96061016901) PRODUCT NO. 960 61 01-69
BAGGER

| KEY NO. | PART NO. | DESCRIPTION |
|---------|---------------------|---------------------------------------|
| 1 | 532 16 52-49 | Tube Handle Bagger CRD |
| 3 | 532 12 39-76 | Nut Lock 1/4 Lge Flg Gr. 5 Zinc |
| 4 | 532 16 99-16 | Handle Bagger w/Lvrs Blk CRD |
| 5 | 874 98 10-24 | Screw Pan Head #10-24 x 1.50 Blk |
| 6 | 874 98 10-32 | Screw Pan Hd |
| 7 | 873 40 10-00 | Nut Wiz Lock Hex Serr/Hd 10-24 |
| 8 | 532 18 25-14 | Cover Bagger |
| 9 | 872 14 04-18 | Bolt Carriage 1/4-20 x 2.25d x Gr. 5 |
| 10 | 532 18 12-82 | Tube Support Bagger CRD |
| 11 | 532 16 57-19 | Bracket Support Upper Bag CRD |
| 13 | 874 76 06-12 | Bolt Fin Hex 3/8-16 UNC x 3/4 |
| 12 | 532 18 88-48 | Bracket Pivotn Lh |
| 14 | 874 52 06-36 | Bolt Carr. |
| 16 | 873 90 06-00 | Nut Lock Flg. 3/8-16 UNC |
| 15 | 532 12 46-70 | Retainer Spring |
| 17 | 872 14 05-06 | Bolt Rdhd Sht Sqnk 5/16 -18 unc x 3/4 |
| 19 | 873 90 05-00 | Nut Lock Hexflange 5/16-18 |
| 20 | 532 18 88-47 | Bracket Pivot Rh |
| 21 | 532 40 61-80 | Bag Asm CRD |
| 22 | 532 16 57-81 | Bracket Side Bagger CRD |
| 24 | 532 16 57-83 | Tube Pivot Bagger CRD |
| 25 | 532 19 37-05 | Tube Front Bagger CRD |
| 28 | 532 16 57-87 | Grip Handle Black |
| 31 | 532 16 94-84 | Retainer Clip |
| 32 | 532 12 68-75 | Rivet Rd Hd Drilled 3/8 Dia |
| 36 | 819 13 20-12 | Washer 13/32 x 1-1/4 x 12 Ga. |
| 37 | 532 17 54-01 | Plug Support Bagger CRD |
| 38 | 872 01 05-20 | Bolt 5/16-18 x 2-1/2 |
| 39 | 532 18 09-85 | Seal 37" |
| 41 | 532 16 96-83 | Bracket Vert Adj Bagger CRD |
| 43 | 532 17 40-83 | Plug Tubing |
| 46 | 872 11 05-10 | Bolt Carr. 5/16-18 x 1-1/4 Gr.5 |
| 47 | 532 19 37-04 | Tube Upper Bagger |
| 49 | 532 19 33-05 | Bar Spreader |
| 50 | 873 80 05-00 | Nut Lock Thx w/Ins. 5/16-18 UNC |
| 51 | 532 19 99-03 | Latch Spring Bagger |
| 54 | 872 14 04-06 | Bolt Carr. |
| 53 | 873 51 04-00 | Nut Keps Hex 1/4-20 UNC |

NOTE: All component dimensions given in U.S. inches
1 inch = 25.4 mm

SERVICE NOTES

SERVICE NOTES
